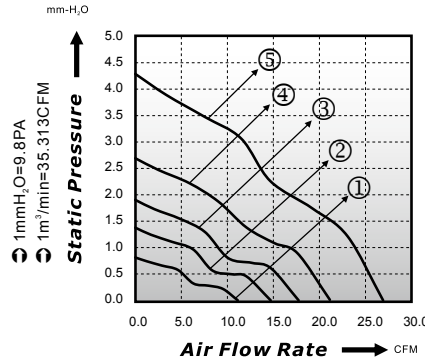


# 60x60x15mm

## Model C

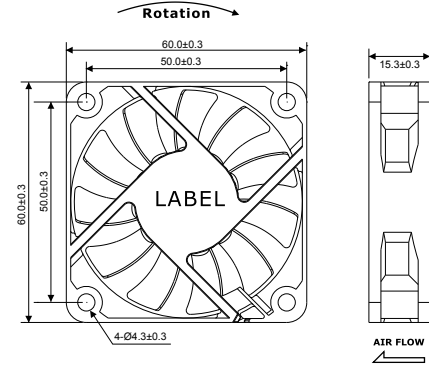


## P-Q Curve (At Rated Voltage)



## Dimensions Drawing

Unit: (mm)



Model No	Bearing (*)	Rated Voltage (VDC)	Rated Current (A)	Power Consumption (Watts)	Speed (rpm)	Air Flow (CFM)	Static Pressure (mmH <sub>2</sub> O)	Noise (dBA)	Curve
ED06015-05L*	○ ● ⊖	5	0.25	1.25	2000	11.30	0.81	17.80	1
ED06015-05M*	○ ● ⊖	5	0.30	1.50	2500	14.70	1.38	21.00	2
ED06015-05H*	○ ● ⊖	5	0.35	1.75	3000	17.74	1.90	25.30	3
ED06015-05HH*	○ ● ⊖	5	0.40	2.00	3600	21.13	2.69	30.10	4
ED06015-12L*	○ ● ⊖	12	0.10	1.20	2500	14.70	1.38	21.00	2
ED06015-12M*	○ ● ⊖	12	0.12	1.44	3000	17.74	1.90	25.30	3
ED06015-12H*	○ ● ⊖	12	0.16	1.92	3600	21.13	2.69	30.10	4
ED06015-12HH*	○ ● ⊖	12	0.40	4.80	4500	26.92	4.29	36.40	5
ED06015-24L*	○ ● ⊖	24	0.05	1.20	2500	14.70	1.38	21.00	2
ED06015-24M*	○ ● ⊖	24	0.08	1.92	3000	17.74	1.90	25.30	3
ED06015-24H*	○ ● ⊖	24	0.10	2.40	3600	21.13	2.69	30.10	4
ED06015-24HH*	○ ● ⊖	24	0.28	6.72	4500	26.92	4.29	36.40	5

\* Bearing Type: ○ Sleeve ● Two Ball ⊖ Hydro-Dynamic